

Requirements for the concrete floor:

- Concrete C20 / 25 according to DIN EN 206-1.
- Horizontal, accuracy of flatness smaller than 5 mm (0.2").
- New concrete must dry for 28 days.

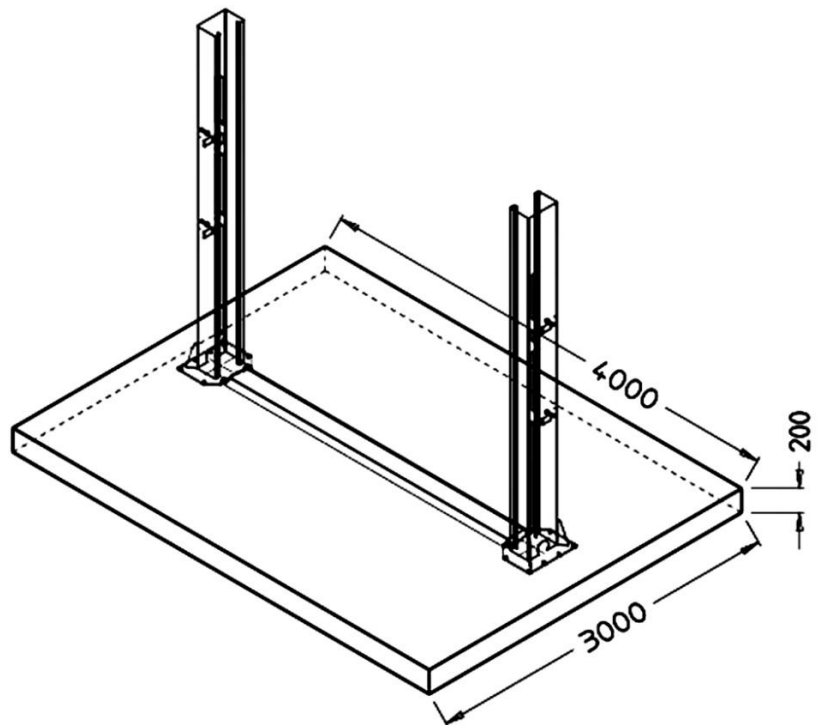
Foundation

- Ideally, it's better to cover the whole area in concrete C20 / 25, 200 mm (up to 4,2 t) or 250 mm thick (5 t).

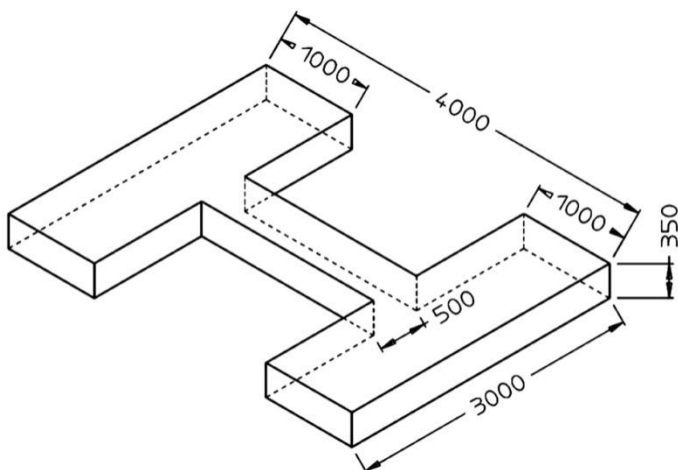
Minimum Requirements:

2-Post lift 4,2t

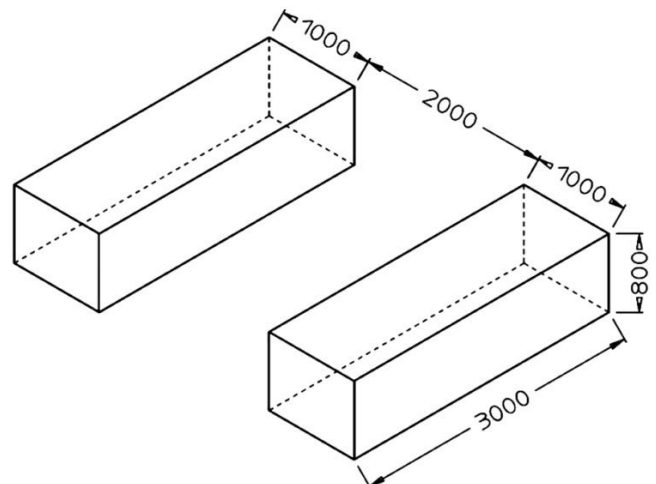
4 m x 3 m x 0,2 m
(13ft. x 10ft. x 8 in.)



Alternativ H-Form



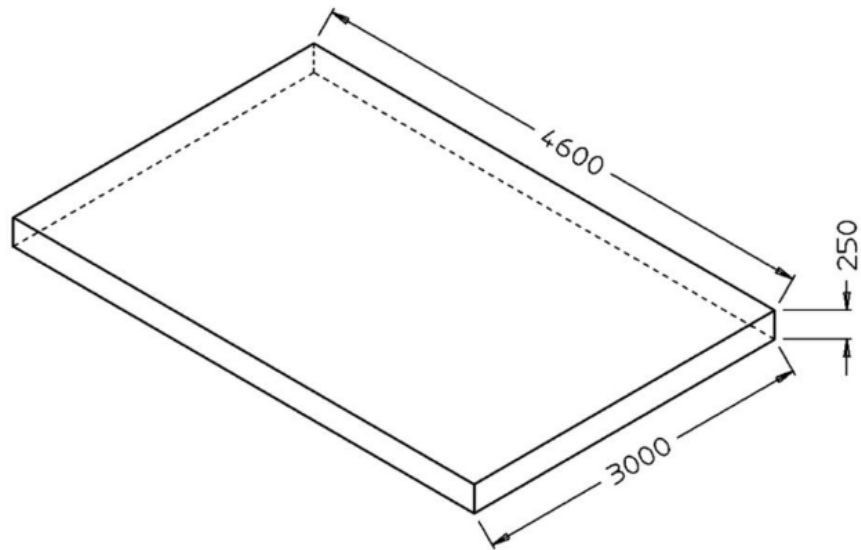
Alternativ Block-Form



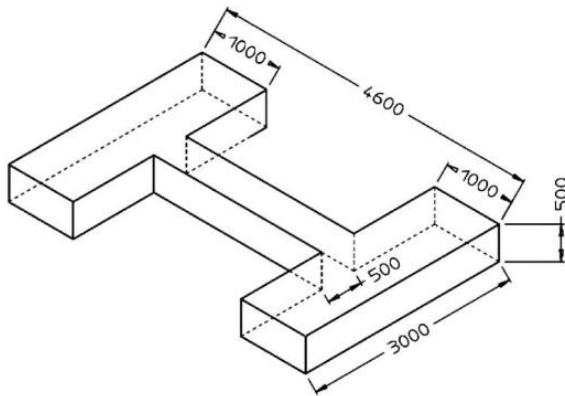
Minimum Requirments:

2-Post lift 5,0t

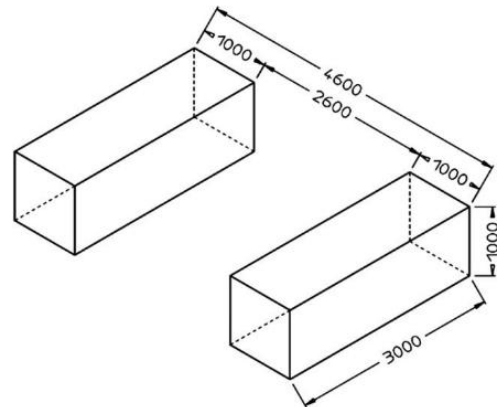
4,6 m x 3 m x 0,25 m
(15ft x 10ft x 8,5 in)



Alternativ H-Form



Alternativ Block-Form



Other requirements

- The surrounding ground must be suitable for the load, for example, no sand asphalt, etc.
- If in doubt, the foundation should always be checked by a structural engineer.

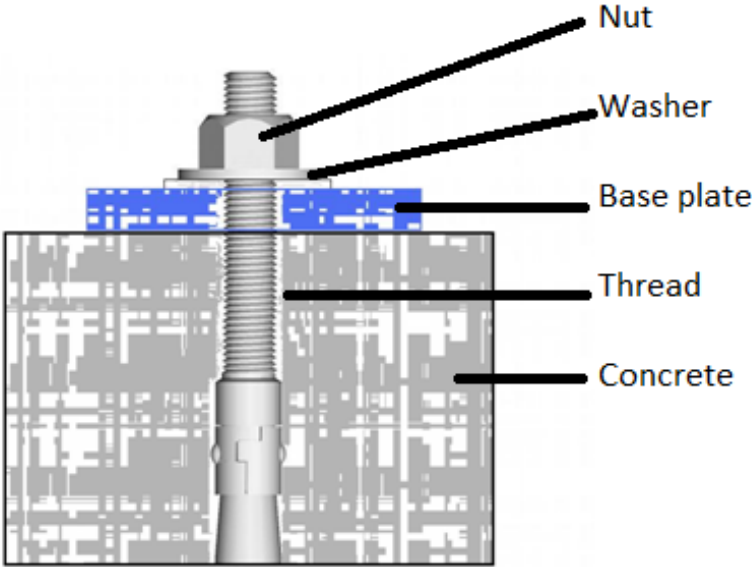
In Case of Frost

In case of freezing the concrete should have exposure class XF4. Thus the following minimum requirements for the concrete in frost conditions.

| | |
|------------------------------|--------------------------------|
| Exposure class | XF4 |
| Maximum w/z | 0.45 |
| Minimum compressive strength | C30 / 37 (instead of C20 / 25) |
| Minimum cement content | 340 kg / m ³ |
| Minimum air content | 4.0% |

It must however be noted that the lifting platforms are not for use outdoors. The main switch corresponds to IP54, but the remaining electrical parts are designed to a maximum of IP44.

Expansion bolts



Expansion bolts should be tightened to 120 Nm (89 lbft)